

# VTR-A-3361 Square SMD Trimming Potentiometer

1/4"/Single-Turn/ Cermet/ Industrial/ Sealed \* Miniature package \* Compatible with surface mount manufacturing processes

## Electrical Characteristics

Standard Resistance Range	10 Ohms - 5M Ohms
Resistance Tolerance	±10%
Absolute Min Resistance	1% or 2 ohms (whichever is greater)
Contact Resistance Variation	3% or 3 ohms max
Max Voltage	220V
Power Rating	0.25W 70°C

## Adjustability

Voltage	±5%
Resistance	±0.15%
Resolution	infinite
Insulation Resistance	500vdc 1,000 megohms min

## Environmental Characteristics

Maximum Soldering Exposure(Temp/Time)	+245°C / 10 seconds.
Temperature Range	-55°C to +125°C
Seal Test	85°C Fluorinert
Humidity	MIL-STD-202 Method 103 96 hours (2% TR; 10 Megohms IR)
Vibration	30 G (1% TR; 1% VR)
Shock	100 G (1% TR; 1% VR)
Load Life	1000 hours 0.5 watt @70°C (3% TR; 3% or 3 ohms.whichever is greater CRV)
Rotational Life	200 cycles (4% TR; 3% or 3 ohms.whichever is greater CRV)

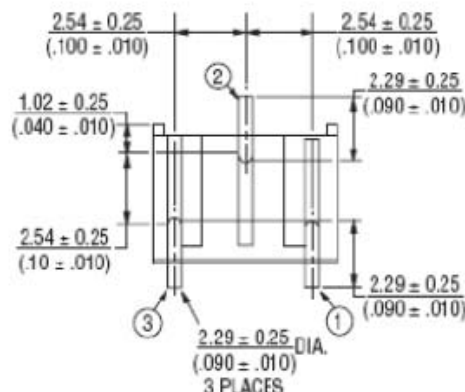
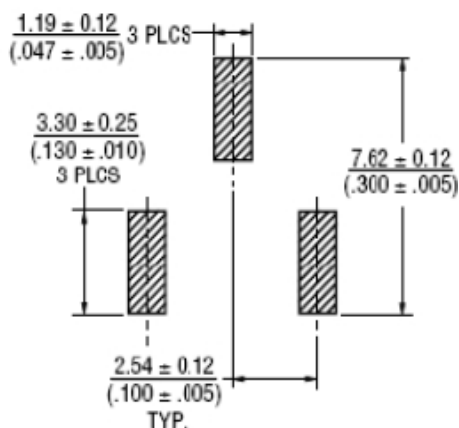
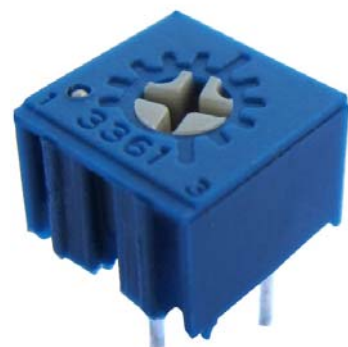
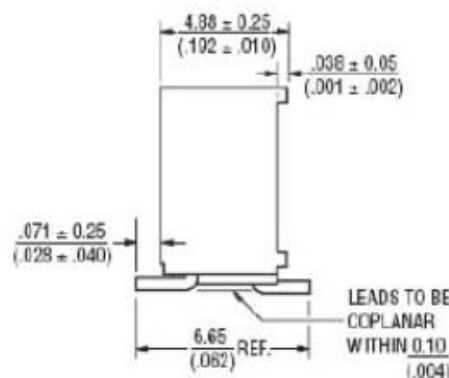
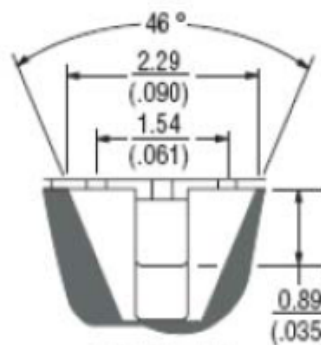
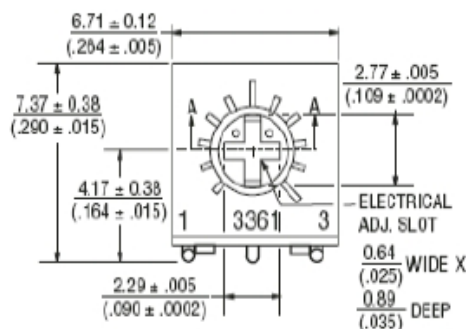
## Physical Characteristics

Mechanical Angle	260° ±10°
Toque	3.0oz-in. max
Stop Strength	7.0oz-in. max
Terminals	Solderable pins
Weight	0.02 oz
Marking	model number
Wiper	50% (Actual TR) ±10%
Flammability	UL 94V-0
Adjustment Tool	H-90

## Package

Package	Tube, or reel
---------	---------------

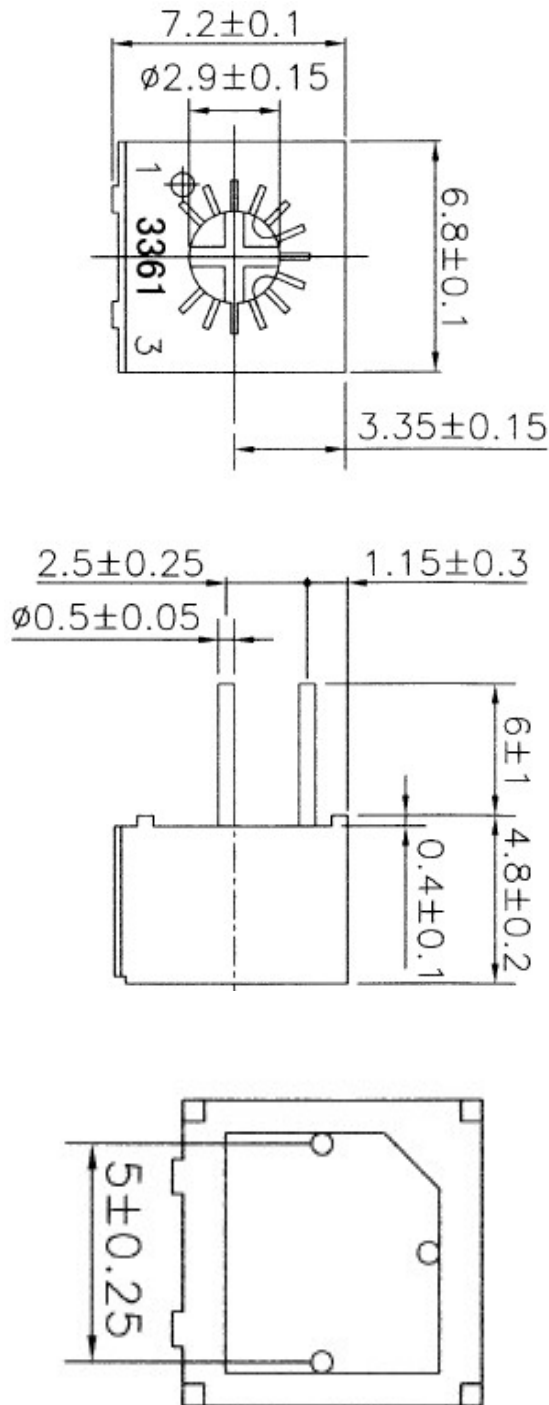
## VTR-A-3361S



# VTR-A-3361 Square SMD Trimming Potentiometer

1/4"/Single-Turn/ Cermet/ Industrial/ Sealed \* Miniature package \* Compatible with surface mount manufacturing processes

VTR-A-3361P



Note: Specification are subject to change without notice. For more updated information, please visit our website.